



Scan for full manual

## VP-427X1 Quick Start Guide

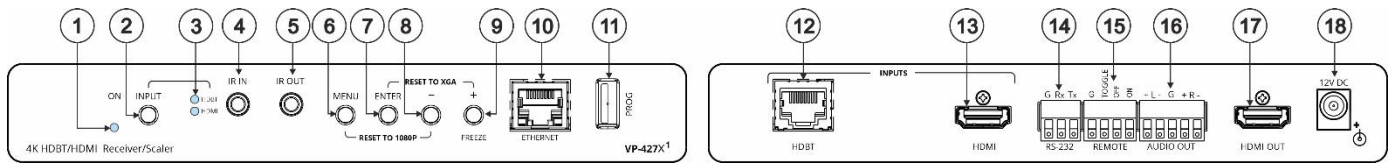
This guide helps you install and use your VP-427X1 for the first time.

Go to [www.kramerav.com/downloads/VP-427X1](http://www.kramerav.com/downloads/VP-427X1) to download the latest user manual and check if firmware upgrades are available.

### Step 1: Check what's in the box

- ✓ VP-427X1 4K HDBT/HDMI Receiver/Scaler
- ✓ 1 Bracket set
- ✓ 1 Power adapter and cord
- ✓ 4 Rubber feet
- ✓ 1 Quick start guide

### Step 2: Get to know your VP-427X1



#	Feature	Function
1	ON LED	Lights green when device is powered.
2	INPUT Select Button	Press to select the input (HDBT or HDMI).
3	INPUT LEDs	HDBT Lights blue when the HDBT input is selected.
		HDMI Lights blue when the HDMI input is selected.
4	IR IN 3.5mm Mini Jack	Connect to an IR sensor to control a remote device connected to the transmitter side via HDBT tunneling.
5	IR OUT 3.5mm Mini Jack	Connect to an external IR emitter to control a local device from the transmitter side.
6	MENU Button	Press to enter/exit the on-screen display (OSD) menu. Press together with the – button to reset the output to 1080p resolution.
7	ENTER Button	In OSD, press to choose the highlighted menu item. Press together with the FREEZE/+ button to reset the output to XGA resolution (1024x768).
8	– Button	In OSD, press to move back through menus or decrement parameter values. Press together with the MENU button to reset the output to 1080p resolution.
9	FREEZE/+ Button	In OSD, press to move forward through menus or increment parameter values. When not in OSD, press to freeze the display.
10	Ethernet RJ-45 Connector	Connect to a PC via a LAN to setup and monitor the VP-427X1 via the Windows software, as well as upgrade the firmware.
11	PROG USB Connector	Connect to a USB stick to perform firmware upgrades.
12	INPUT Connectors	HDBT RJ-45 with PoE (PD) Connect to a transmitter (for example, the Kramer TP-789Txr).
		HDMI Connect to an HDMI source.
13		
14	RS-232 CONTROL 3-pin Terminal Block Connector	Connect to a serial controller or PC.
15	REMOTE Contact-Closure 4-pin Terminal Block Connector	Connect to contact closure switches, an occupancy sensor and/or toggle switches (contact between the desired pin and GND pin), to turn display on or off. See <a href="#">Step 6: Operate VP-427X1</a> .
16	AUDIO 5-pin Terminal Block Connector	Connect to a balanced stereo audio acceptor.
17	HDMI OUT Connector	Connect to an HDMI acceptor.
18	12V DC Connector	Connect to the supplied power adapter.

The terms HDMI, HDMI High-Definition Multimedia Interface, and the HDMI Logo are trademarks or registered trademarks of HDMI Licensing Administrator, Inc.

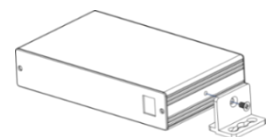
### Step 3: Mount VP-427X1

Install VP-427X1 using one of the following methods:

- Attach the rubber feet and place the unit on a flat surface.
- Fasten a bracket (included) on each side of the unit and attach it to a flat surface (see [www.kramerav.com/downloads/VP-427X1](http://www.kramerav.com/downloads/VP-427X1)).
- Mount the unit in a rack using the recommended rack adapter (see [www.kramerav.com/product/VP-427X1](http://www.kramerav.com/product/VP-427X1)).

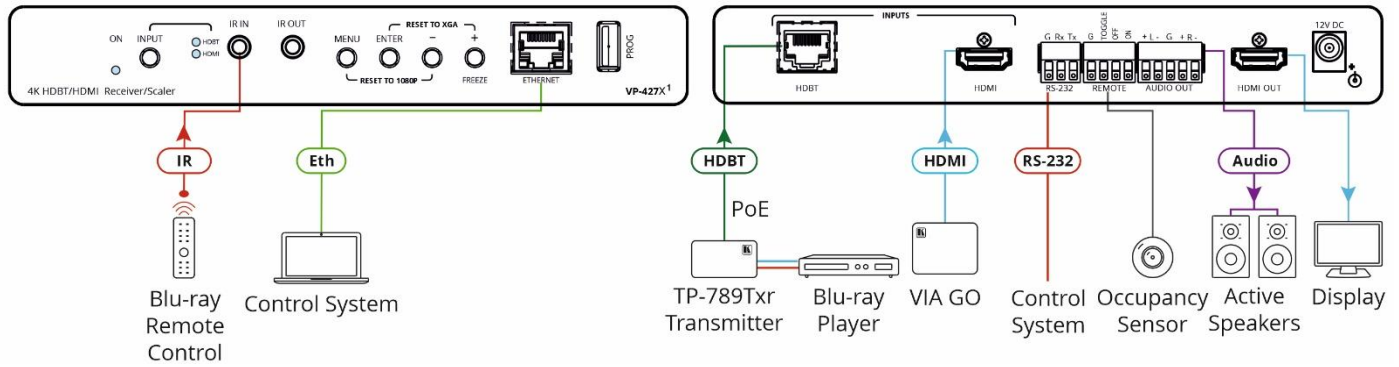


- Ensure that the environment (e.g., maximum ambient temperature & air flow) is compatible for the device.
- Avoid uneven mechanical loading.
- Appropriate consideration of equipment nameplate ratings should be used for avoiding overloading of the circuits.
- Reliable earthing of rack-mounted equipment should be maintained.
- Maximum mounting height for the device is 2 meters.



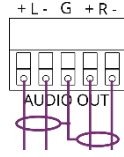
## Step 4: Connect inputs and outputs

Always switch OFF the power on each device before connecting it to your VP-427X1.

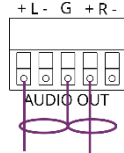


### Connecting the audio output

To a balanced stereo audio acceptor:



To an unbalanced stereo audio acceptor:



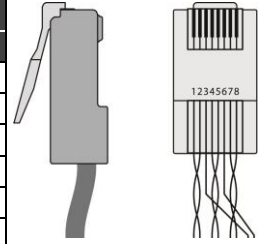
### Wiring the RJ-45 Connectors

This section defines the TP pinout, using a straight pin-to-pin cable with RJ-45 connectors.



For HDBT cables, it is recommended that the cable ground shielding be connected/soldered to the connector shield.

EIA /TIA 568B	
PIN	Wire Color
1	Orange / White
2	Orange
3	Green / White
4	Blue
5	Blue / White
6	Green
7	Brown / White
8	Brown



To achieve specified extension distances, use the recommended Kramer cables available at [www.kramerav.com/product/VP-427X1](http://www.kramerav.com/product/VP-427X1). Using third-party cables may cause damage!

## Step 5: Connect power

If there is no PoE via the HDBT input, connect the power adapter to the VP-427X1 and plug it to the mains electricity.



Safety Instructions (See [www.kramerav.com](http://www.kramerav.com) for updated safety information)

#### Caution:

- For products with relay terminals and GPIO ports, please refer to the permitted rating for an external connection, located next to the terminal or in the User Manual.
- There are no operator serviceable parts inside the unit.

#### Warning:

- Use only the power cord that is supplied with the unit.
- Disconnect the power and unplug the unit from the wall before installing.

## Step 6: Operate VP-427X1

Operate VP-427X1 via:

- Front panel buttons.
- Remotely, by RS-232 serial commands transmitted by a touch screen system, PC, or other serial controller
- Embedded web pages via the Eth.

RS-232 Control / Protocol 3000			
Baud Rate:	115,200	Parity:	None
Data Bits:	8	Command Format:	ASCII
Stop Bits:	1		
Example: (Route video HDBT INPUT to HDMI OUTPUT): #ROUTE_1,1,1<CR>			
Default Ethernet Parameters			
IP Address:	192.168.1.39	UDP Port #:	50000
Subnet Mask:	255.255.0.0	TCP Port #:	5000
Gateway:	0.0.0.0.	Default Username/password:	Admin/Admin

### Operating via the remote control switches

Momentarily connect the desired pin to the GND pin to select an input:

Pin Name	Function
TOGGLE	One button toggles between display on and display off (instead of using two separate buttons for on and off). Alternatively, using the VP-427X1 OSD, configure turning the display on or off according to whether a switch is open or closed, for example, when using an occupancy sensor.
OFF	Turn off the display.
ON	Turn on the display.

